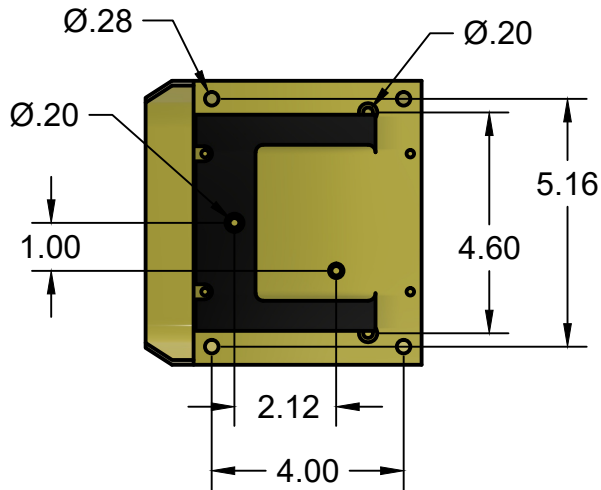


SCALE 1:3



1. Solid steel construction.
2. Skid-resistant elastomeric base pads.
3. Available in yellow, orange, and black powder coat.
4. Also available in a stainless steel construction.
5. Equipped with mounting holes for ConnTrol foot control products.
6. Shipped with mounting hardware
 - 2 flat head screws
 - 4 socket screws
 - 4 lock washers



THIS DOCUMENT IS THE PROPERTY OF CONNTROL INTERNATIONAL, INC. AND IS NOT TO BE DISCLOSED, REPRODUCED, IN WHOLE OR IN PART, OR USED FOR MANUFACTURE FOR ANYONE OTHER THAN CONNTROL INTERNATIONAL, INC. WITHOUT ITS WRITTEN CONSENT.

UNLESS STATED, TOLERANCES ARE:

.XX +/- .015
.XXX +/- .005

ALL DIMENSIONS ARE IN INCHES

DRAWING NUMBER

Guard 1 Sales Drawing

WS864-001

APPROVED	JPB	8/15/2024
CHECKED	RB	8/15/2024
DRAWN	JPB	8/15/2024

MATERIAL	N/A		REV
SCALE 1:4	SIZE A	SHEET 1/1	