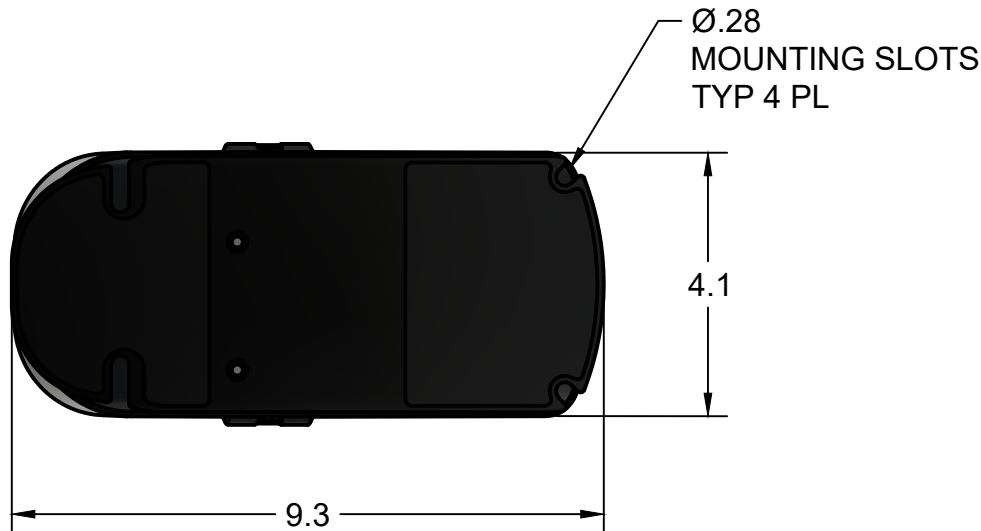


SCALE 1:4



1. Durable aluminum base with formed steel cover.
2. Ultra smooth variable speed operation.
3. 1/2" NPTF connector hole standard for cable strain relief fittings. Other connector holes available on request.
4. Maintained functionality.
5. Four mounting slots.
6. Capable of handling up to 12/3 cable or .50" O.D.
7. 10 amp, SPDT long life snap switch available to operate at beginning or end of stroke.
8. Equipped with potentiometer (customer to specify rating and taper, i.e., linear or logarithmic).
9. Skid-resistant elastomeric base pad.
10. Buna-N O-Ring and Buna-N gasket seals.
11. Numerous cord strain reliefs available for your special requirements.



UNLESS STATED, TOLERANCES ARE:

.XX +/- .015  
.XXX +/- .005

\*ALL DIMENSIONS ARE IN INCHES\*

DRAWING NUMBER

Series 360 Sales Drawing

WS360-001

THIS DOCUMENT IS THE PROPERTY OF CONNTROL INTERNATIONAL, INC. AND IS NOT TO BE DISCLOSED, REPRODUCED, IN WHOLE OR IN PART, OR USED FOR MANUFACTURE FOR ANYONE OTHER THAN CONNTROL INTERNATIONAL, INC. WITHOUT ITS WRITTEN CONSENT.

APPROVED	JPB	8/16/2024	MATERIAL	Low Carbon Steel and Glass Infused Polycarbonate	REV
CHECKED	RB	8/16/2024			
DRAWN	JPB	8/16/2024	SCALE 1:4	SIZE A	SHEET 1/1