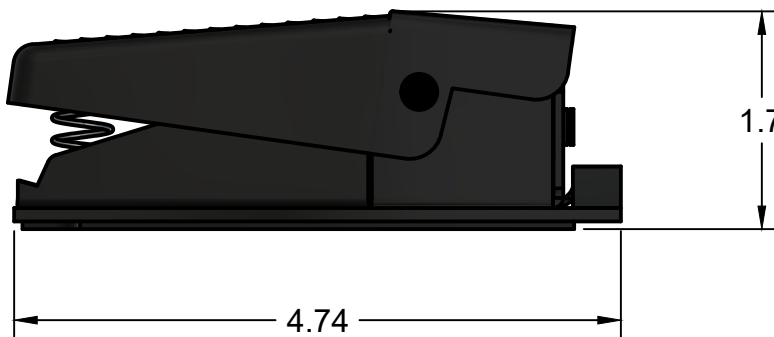




SCALE 1:2



1. Solid steel housing with die cast zinc cover.
2. Skid-resistant elastomeric base pads.
3. Available with or without baseplate.
4. Optional private labeling.
5. Threaded openings are extruded to provide extra thread engagement.
6. High quality, black E-Coat.



UNLESS STATED, TOLERANCES ARE:

.XX +/- .015
 .XXX +/- .005

ALL DIMENSIONS ARE IN INCHES

DRAWING NUMBER

Series 894 Sales Drawing

WS894-001

THIS DOCUMENT IS THE PROPERTY OF CONNTROL INTERNATIONAL, INC. AND IS NOT TO BE DISCLOSED, REPRODUCED, IN WHOLE OR IN PART, OR USED FOR MANUFACTURE FOR ANYONE OTHER THAN CONNTROL INTERNATIONAL, INC. WITHOUT ITS WRITTEN CONSENT.

APPROVED JPB	8/15/2024	MATERIAL		N/A	REV
CHECKED RB	8/15/2024	SCALE 2:3			
DRAWN JPB	8/15/2024	SIZE	A	SHEET 1/1	